

New product release

Table of content

Product features.....	1
Electrical specification	3
Ordering information	12
Expected released date	12

Product features

The product offers a nominal output voltage of 24 V, a wide temperature range from -20°C to +75°C and a minimum holdup time of 20 ms.

The state-of-the-art design is made to withstand harsh industrial environments. The rugged, ultra-compact plastic/ aluminum case is shock and vibration resistant according to IEC 60068-2, provides overvoltage, overload and thermal protection. It is worldwide usable. Multiple output terminals for fast wiring and easy installation.

Product features:

- Ease of wire connection to terminals
- Compact design for easy handling
- Overload protection
- Overvoltage protection
- Thermal protection
- Power boost 150% for 3 seconds
- Expected life time: 10 years
- Redundancy: Yes (with external oring diode)
- RoHS compliant

DRP024V060W1AZ



**60W 1 Phase DIN Rail
Power Supply
(Plastic case)**

DRP024V060W1AA



**60W 1 Phase DIN Rail
Power Supply
(Aluminum case)**

New product release

DRP024V120W1AA



120W 1 Phase DIN Rail
Power Supply

DRP024V240W1AA



240W 1 Phase DIN Rail
Power Supply

DRP024V480W1AA



480W 1 Phase DIN Rail
Power Supply

DRP024V060W3AA



60W 3 Phase DIN Rail
Power Supply

DRP024V120W3AA



120W 3 Phase DIN Rail
Power Supply

DRP024V240W3AA



240W 3 Phase DIN Rail
Power Supply

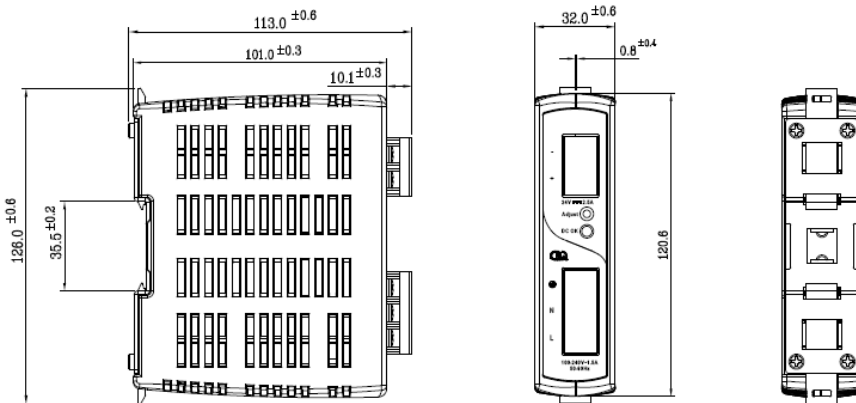
DRP024V480W3AA



480W 3 Phase DIN Rail
Power Supply

Electrical specification

DRP024V060W1AZ Mechanical size




DRP024V060W1AZ Electrical specification

Input voltage range	85 ~ 264 Vac (DC input range 120 ~ 375 Vdc)
Output power	60 W
Output voltage range	22 V ~ 28 V
Output current	2.5 A

DRP024V060W1AZ Environment specification

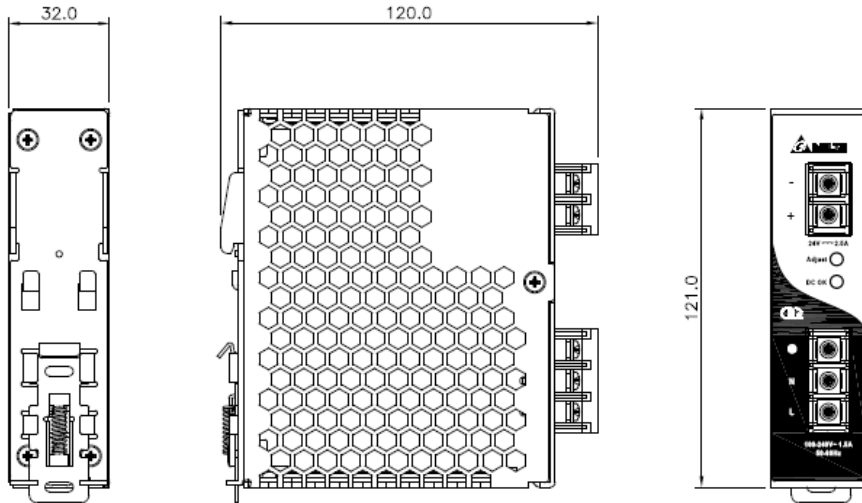
Operating ambient temperature	-20°C~75°C
Storage temperature	-25°C~85°C
Humidity operation	< 95%
Note (*)	* Operating amb. < 0°C to -20°C derate power by 1% / °C Operating amb. > 50°C derate power by 2.5% / °C

DRP024V060W1AZ Safety certification

Certification	UL508, EN 60950, cULus 60950, EN 50178, EN 60204, GS, CCSAus ~ CSA C22.2 No. 60950-1: 03
	

New product release

DRP024V060W1AA Mechanical size



DRP024V060W1AA Electrical specification

Input voltage range	85 ~ 264 Vac (DC input range 120 ~ 375 Vdc)
Output power	60 W
Output voltage range	22 V ~ 28 V
Output current	2.5 A

DRP024V060W1AA Environment specification

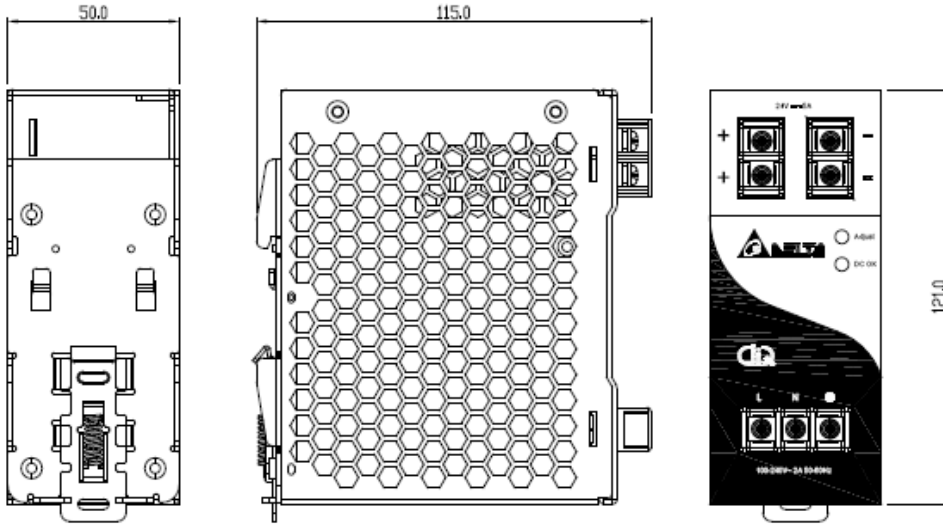
Operating ambient temperature	-20°C~75°C
Storage temperature	-25°C~85°C
Humidity operation	< 95%
Note (*)	* Operating amb. < 0°C to -20°C derate power by 1% / °C Operating amb. > 50°C derate power by 2.5% / °C

DRP024V060W1AA Safety certification

Certification	UL508, EN 60950, cULus 60950, EN 50178, EN 60204, GS, CCSAus ~ CSA C22.2 No. 60950-1: 03

New product release

DRP024V120W1AA Mechanical size



DRP024V120W1AA Electrical specification

Input voltage range	85 ~ 264 Vac (DC input range 120 ~ 375 Vdc)
Output power	120 W
Output voltage range	22 V ~ 28 V
Output current	5 A

DRP024V120W1AA Environment specification

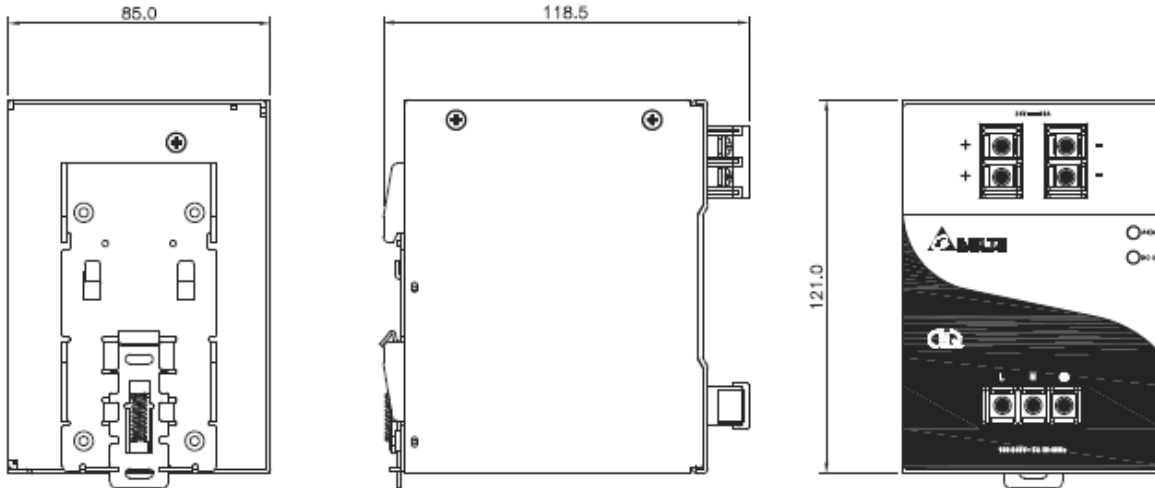
Operating ambient temperature	-20°C~75°C
Storage temperature	-25°C~85°C
Humidity operation	< 95%
Note (*)	* Operating amb. < 0°C to -20°C derate power by 1% / °C Operating amb. > 50°C derate power by 2.5% / °C

DRP024V120W1AA Safety certification

Certification	UL508, EN 60950, cULus 60950, EN 50178, EN 60204, GS,

New product release

DRP024V240W1AA Mechanical size



DRP024V240W1AA Electrical specification

Input voltage range	85 ~ 264 Vac (DC input range 120 ~ 375 Vdc)
Output power	240 W
Output voltage range	22 V ~ 28 V
Output current	10 A

DRP024V240W1AA Environment specification

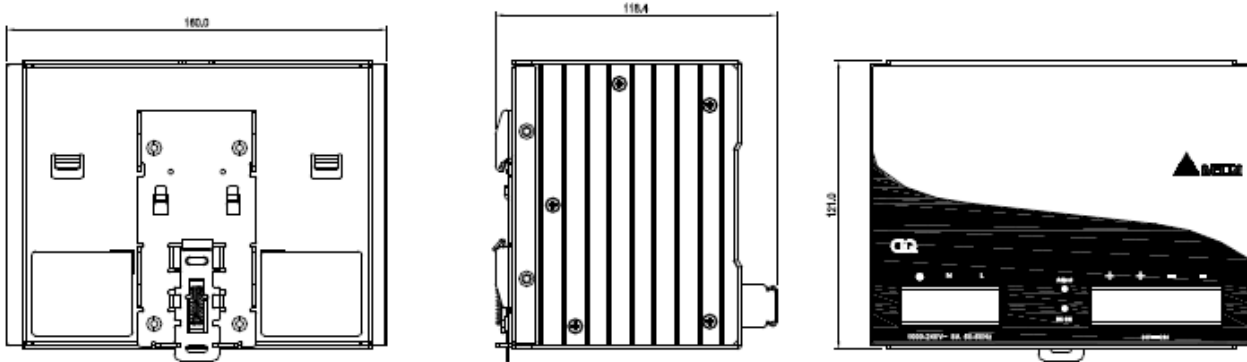
Operating ambient temperature	-20 °C~75 °C
Storage temperature	-25 °C~85 °C
Humidity operation	< 95%
Note (*)	* Operating amb. < 0 °C to -20 °C derate power by 1% / °C Operating amb. > 50 °C derate power by 2.5% / °C

DRP024V240W1AA Safety certification

Certification	UL508, EN 60950, cULus 60950, EN 50178, EN 60204, GS,
	   

New product release

DRP024V480W1AA Mechanical size



DRP024V480W1AA Electrical specification

Input voltage range	85 ~ 264 Vac (DC input range 120 ~ 375 Vdc)
Output power	480 W
Output voltage range	22 V ~ 28 V
Output current	20 A

DRP024V480W1AA Environment specification

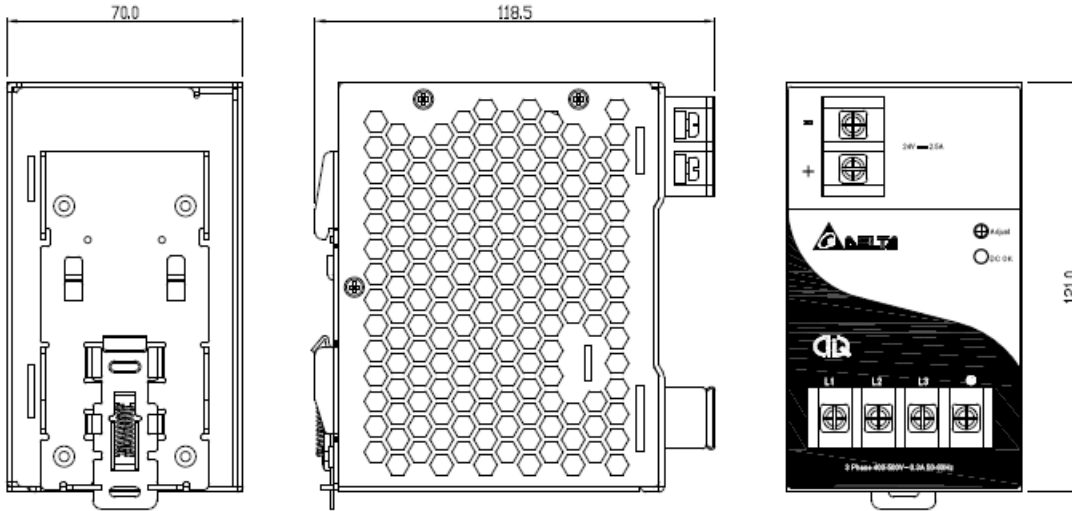
Operating ambient temperature	-20°C~75°C
Storage temperature	-25°C~85°C
Humidity operation	< 95%
Note (*)	* Operating amb. < 0°C to -20°C derate power by 1% / °C Operating amb. > 50°C derate power by 2.5% / °C

DRP024V480W1AA Safety certification

Certification	UL508, EN 60950, cULus 60950, EN 50178, EN 60204, GS,
	   

New product release

DRP024V060W3AA Mechanical size



DRP024V060W3AA Electrical specification

Input voltage range	320 ~ 575 Vac (DC input range 450 ~ 800 Vdc)
Output power	60 W
Output voltage range	22 V ~ 28 V
Output current	2.5 A

DRP024V060W3AA Environment specification

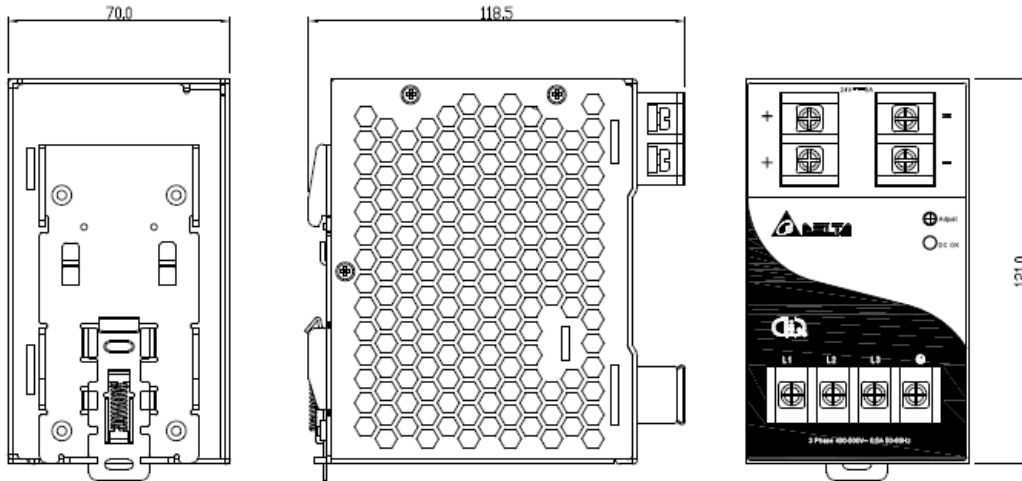
Operating ambient temperature	-20°C~75°C
Storage temperature	-25°C~85°C
Humidity operation	< 95%
Note (*)	* Operating amb. < 0°C to -20°C derate power by 1% / °C Operating amb. > 50°C derate power by 2.5% / °C

DRP024V060W3AA Safety certification

Certification	UL508, EN 60950, cULus 60950, EN 50178, EN 60204, GS,

New product release

DRP024V120W3AA Mechanical size



DRP024V120W3AA Electrical specification

Input voltage range	320 ~ 575 Vac (DC input range 450 ~ 800 Vdc)
Output power	120 W
Output voltage range	22 V ~ 28 V
Output current	5 A

DRP024V120W3AA Environment specification

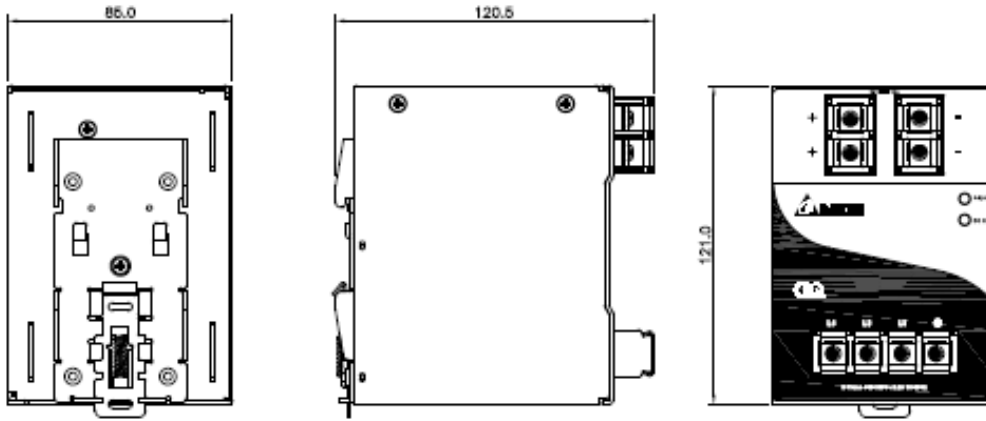
Operating ambient temperature	-20°C~75°C
Storage temperature	-25°C~85°C
Humidity operation	< 95%
Note (*)	* Operating amb. < 0°C to -20°C derate power by 1% / °C Operating amb. > 50°C derate power by 2.5% / °C

DRP024V120W3AA Safety certification

Certification	UL508, EN 60950, cULus 60950, EN 50178, EN 60204, GS,
	   

New product release

DRP024V240W3AA Mechanical size



DRP024V240W3AA Electrical specification

Input voltage range	320 ~ 575 Vac (DC input range 450 ~ 800 Vdc)
Output power	240 W
Output voltage range	22 V ~ 28 V
Output current	10 A

DRP024V240W3AA Environment specification

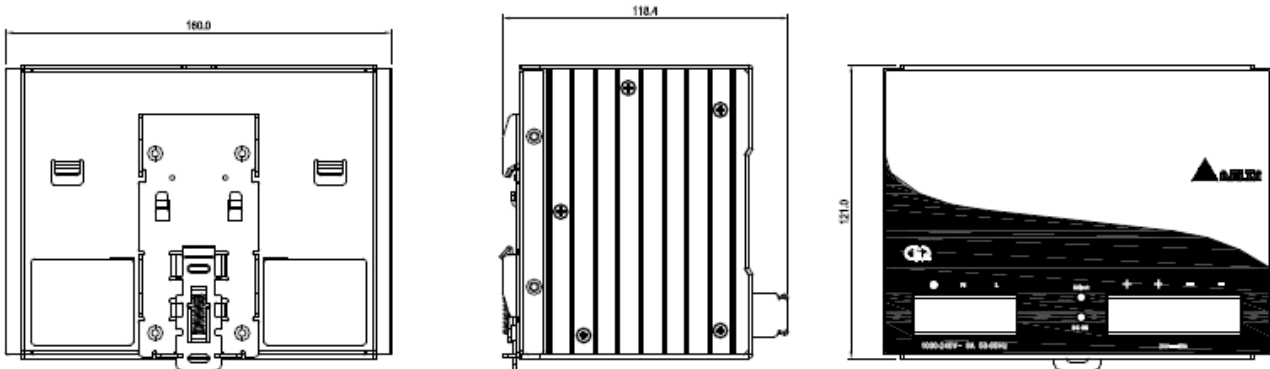
Operating ambient temperature	-20 °C~75 °C
Storage temperature	-25 °C~85 °C
Humidity operation	< 95%
Note (*)	* Operating amb. < 0 °C to -20 °C derate power by 1% / °C Operating amb. > 50 °C derate power by 2.5% / °C

DRP024V240W3AA Safety certification

Certification	UL508, EN 60950, cULus 60950, EN 50178, EN 60204, GS,
	   

New product release

DRP024V480W3AA Mechanical size



DRP024V480W3AA Electrical specification

Input voltage range	320 ~ 575 Vac (DC input range 450 ~ 800 Vdc)
Output power	480 W
Output voltage range	22 V ~ 28 V
Output current	20 A

DRP024V480W3AA Environment specification

Operating ambient temperature	-20°C~75°C
Storage temperature	-25°C~85°C
Humidity operation	< 95%
Note (*)	* Operating amb. < 0°C to -20°C derate power by 1% / °C Operating amb. > 50°C derate power by 2.5% / °C

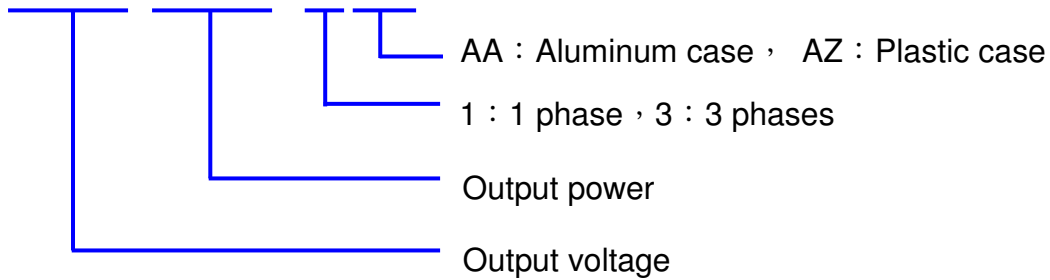
DRP024V480W3AA Safety certification

Certification	UL508, EN 60950, cULus 60950, EN 50178, EN 60204, GS,
	   

New product release

Ordering information

DRP 024V 060W 1 AA



Expected released date

Din Rail series Power Supply

Model name	Date	Minimum Order Quantity (PCS)
DRP024V060W1AZ	2008/8/15	48
DRP024V060W1AA	2008/8/15	48
DRP024V120W1AA	2008/8/15	48
DRP024V240W1AA	2008/9/15	48
DRP024V480W1AA	2008/11/15	36
DRP024V060W3AA	2008/9/15	36
DRP024V120W3AA	2008/9/15	36
DRP024V240W3AA	2008/10/15	48
DRP024V480W3AA	2008/11/15	36

Panel-mount power supply schedule

Input	Output	Date
85 ~ 264 Vac (DC input range 120 ~ 375 Vdc)	35W, DC24V(22 ~ 28V)	2009/1/1
85 ~ 264 Vac (DC input range 120 ~ 375 Vdc)	50W, DC24V(22 ~ 28V)	2009/1/1
85 ~ 264 Vac (DC input range 120 ~ 375 Vdc)	100W, DC24V(22 ~ 28V)	2009/1/1